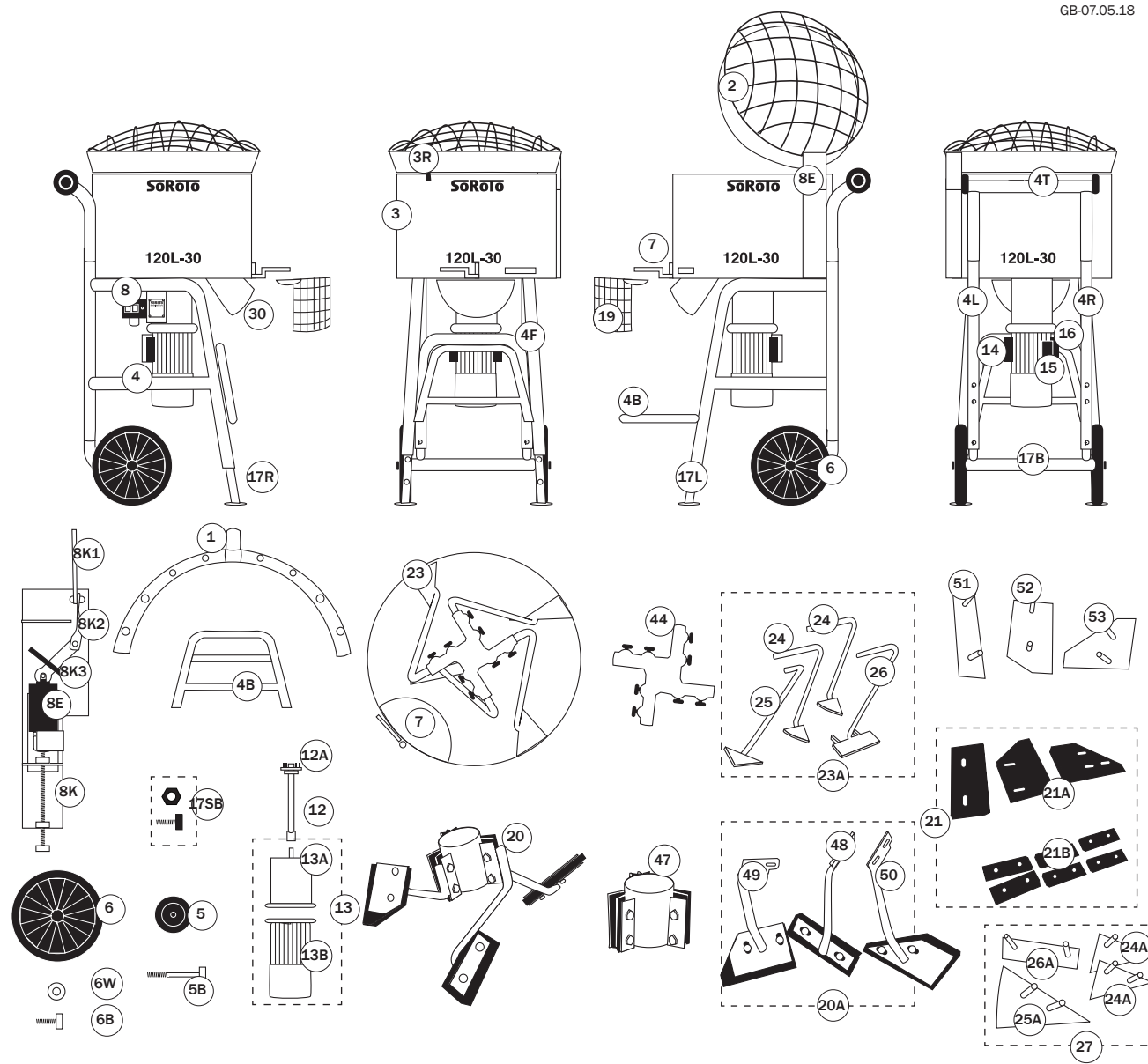


Spare Part List - 120 L, 230V



GB-07.05.18

Pos. No.	Description	Art. No.
1	Dust liminator.....	120.001DL
2	Grid lid (hinge 100 mm).....	120.002
3	Mixer drum incl. mixer gate, complete set	120.003
3 R	Rubber strap - for grid lid.....	120.003R
4	Frame, complete w/wheels etc.....	120.004
4 B	Bucket stand	120.004B
4 F	Frame, front part (U-shape).....	120.004F
4 L	Frame, left side part	120.004L
4 R	Frame, right side part	120.004R
4 T	Frame, top/rear part.....	120.004T
5	Loading wheel (1 pc.), 80 mm, excl. bolt.....	120.005
5 B	Bolt (1 pc.) for 80 mm loading wheel	120.005A
6	Wheel (1 pc.), 300 mm, excl. bolt.....	120.006
6 B	Bolt (1 pc.) for 300 mm wheel	120.006B
6 W	Washer (1 pc.) for 300 mm wheel	120.006W
7	Mixer gate incl. bolt etc.....	120.007
8	Switch 9,5 Amp. w/thermal circuit breaker and O-discharger....	120.008
8 E	Safety switch - by the grid lid.....	120.008E
8 K	Cassette for safety switch, complete	120.008K
8 K1	Cassette for safety switch, bended metal part	120.008K1
8 K2	Cassette for safety switch, twisted metal part	120.008K2
8 K3	Cassette for safety switch, rubber part.....	120.008K3
12	Drive shaft	120.012
12 A	Spring pins, complete set of 12 pins incl. a jig.....	120.012A
13	Gearmotor 1.1 kW, 1400/30 RPM, 230 V.....	120.013
13 G	- Gear only.....	120.013G
13 M	- Motor only.....	120.013M
14	Starting capacitor 125 µf	120.014
15	Operating capacitor 25 µf	120.015
16	Phase capacitor 20 µf	120.016
17 B	Telescopic leg (1 pc.), rear.....	120.017B
17 L	Telescopic leg (1 pc.), front - left side.....	120.017L
17 R	Telescopic leg (1 pc.), front - right side.....	120.017R
17 SB	Bolt and nut (1 pair) for telescopic leg (1 pc.).....	120.017SB
19	Safety grid - by the mixer gate.....	120.019
20 *	Mixer arms w/rubber, 3 pcs. complete set.....	120.020
20 A	Mixer arms w/rubber, 3 pcs., wo/cross joint	120.020A
21	Rubber parts (replacement set, complete)	120.021
21 A	Rubber parts (replacement set, blades only).....	120.021A
21 B	Rubber parts (replacement set, cross joint only).....	120.021B
23	Mixer arms, set of 4 pcs., complete set.....	120.023
23 A	Mixer arms, set of 4 pcs., wo/cross joint	120.023A
24	Mixer arm (1 pc.), Side.....	120.024
25	Mixer arm (1 pc.), Side-base	120.025
26	Mixer arm (1 pc.), Rake	120.026
24 A	Mixer blade, separate, Side.....	120.024A
25 A	Mixer blade, separate, Side-base	120.025A
26 A	Mixer blade, separate, Rake.....	120.026A
27	Mixer blades, steel, complete set (4 pcs., incl. nuts)	120.027
30	Discharge chute, incl. bolts	120.030
44	Cross joint for mixer arms, steel, incl. bolts	120.044
47	Cross joint for mixer arms, rubber, incl. brackets and bolts.....	120.047
51	Bracket for mixer blade, rubber, Rake.....	120.051
52	Bracket for mixer blade, rubber, Side-base.....	120.052
53	Bracket for mixer blade, rubber, Side	120.053



*OPTIONAL / ADDITIONAL EQUIPMENT